

FEATURES

- > 3.2Gbps operation
- Low noise CML data outputs
- Chatter-Free LOS generation
- Open Collector TTL LOS output
- TTL /EN Input
- Differential PECL inputs for data
- Single 3.3V or 5V power supply
- Designed for use with SY88922V and SY88905
- Available in a tiny 10-pin (3mm) MSOP

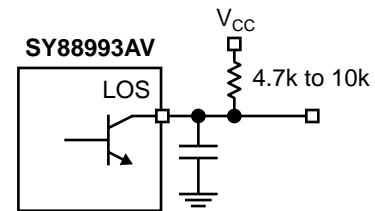
APPLICATIONS

- 1.25Gbps and 2.1Gbps Gigabit Ethernet
- 531Mbps, 1062Mbps and 2.5Gbps SONET/SDH Fibre Channel
- 622Mbps
- Gigabit interface converter (GBIC)
- Small form factor transceivers
- Parallel 10G Ethernet

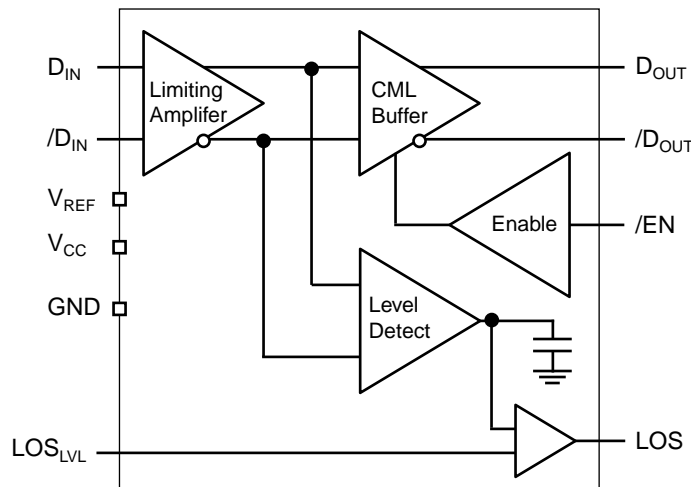
DESCRIPTION

The SY88993AV limiting post amplifier with its high and wide bandwidth is ideal for use as a post amplifier in fiber-optic receivers with data rates up to 3.2Gbps. Signals as small as 4mVp-p can be amplified to drive devices with CML inputs or AC coupled PECL inputs. The SY88993AV generates a chatter-free Loss of Signal (LOS) open collector TTL output.

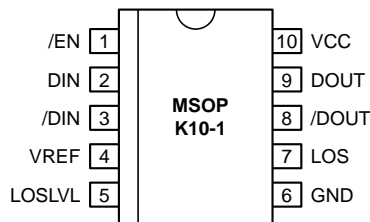
The SY88993AV incorporates a programmable level detect function to identify when the input signal has been lost. This information can be fed back to the /EN input of the device to maintain stability under loss of signal conditions. Using LOS_{LVL} pin the sensitivity of the level detect can be adjusted. The LOS_{LVL} voltage can be set by connecting a resistor divider between V_{CC} and V_{REF}, Figure 3.



BLOCK DIAGRAM



PACKAGE/ORDERING INFORMATION



10-Pin MSOP (K10-1)

Ordering Information

| Part Number | Package Type | Operating Range | Package Marking | Lead Finish |
|------------------------------|--------------|-----------------|--------------------------------------|----------------|
| SY88993AVKI | K10-1 | Industrial | 993A | Sn-Pb |
| SY88993AVKITR ⁽¹⁾ | K10-1 | Industrial | 993A | Sn-Pb |
| SY88993AVKKG | K10-1 | Industrial | 993A with Pb-Free bar-line indicator | Pb-Free NiPdAu |
| SY88993AVKGT ⁽¹⁾ | K10-1 | Industrial | 993A with Pb-Free bar-line indicator | Pb-Free NiPdAu |

Note:

1. Tape and Reel.

PIN NAMES

| Pin | Type | Function |
|--------------------|-----------------------------|---|
| D _{IN} | Data Input | Data Input |
| /D _{IN} | Data Input | Inverting Data Input |
| LOS _{LVL} | Input | Loss of Signal Level Set |
| /EN | TTL Input | Output Enable (Active Low) |
| LOS | TTL Output (Open Collector) | Loss of Signal Indicator (Active High) |
| GND | Ground | Ground |
| D _{OUT} | CML Output | Data Output |
| /D _{OUT} | CML Output | Inverting Data Output |
| V _{CC} | Power Supply | Positive Power Supply |
| V _{REF} | Output | Reference Voltage Output for LOS Level Set (see Fig. 3) |

GENERAL DESCRIPTION

General

The SY88993AV is an integrated limiting amplifier intended for high-frequency fiber-optic applications. The circuit connects to typical transimpedance amplifiers found within a fiber-optics link. The linear signal output from a transimpedance amplifier can contain significant amounts of noise, and may vary in amplitude over time. The SY88993AV limiting amplifier quantizes the signal and outputs a voltage-limited waveform.

The /EN pin allows the user to disable the output signal without removing the input signal.

ABSOLUTE MAXIMUM RATINGS⁽¹⁾

| Symbol | Rating | Value | Unit |
|------------------------------------|-----------------------------|----------------------|------|
| V _{CC} | Power Supply Voltage | 0 to +7.0 | V |
| D _{IN} , /D _{IN} | Input Voltage | 0 to V _{CC} | V |
| T _A | Operating Temperature Range | -40 to +85 | °C |
| T _{STORE} | Storage Temperature Range | -55 to +85 | °C |

- Note:**
1. Permanent device damage may occur if absolute maximum ratings are exceeded. This is a stress rating only and functional operation is not implied at conditions other than those detailed in the operational sections of this data sheet. Exposure to absolute maximum rating conditions for extended periods may affect device reliability.

DC ELECTRICAL CHARACTERISTICS
 $V_{CC} = +3.3V \pm 10\%$ or $+5V \pm 10\%$, $R_{LOAD} = 50\Omega$ to V_{CC}

| Symbol | Parameter | $T_A = -40^\circ\text{C}$ | | $T_A = 0^\circ\text{C}$ | | $T_A = +25^\circ\text{C}$ | | | $T_A = +85^\circ\text{C}$ | | Unit |
|--------------|-------------------------------------|---------------------------|--------------------|-------------------------|--------------------|---------------------------|-----------------|--------------------|---------------------------|--------------------|---------------|
| | | Min. | Max. | Min. | Max. | Min. | Typ. | Max. | Min. | Max. | |
| I_{CC} | Power Supply Current ⁽¹⁾ | — | 55 | — | 55 | — | 43 | 55 | — | 65 | mA |
| | 5V 3.3V | — | 50 | — | 50 | — | 40 | 50 | — | 60 | |
| I_{IL} | /EN Input LOW Current | -0.3 ⁽⁴⁾ | — | -0.3 ⁽⁴⁾ | — | -0.3 ⁽⁴⁾ | — | — | -0.3 ⁽⁴⁾ | — | mA |
| I_{IH} | /EN Input HIGH Current | — | 20 ⁽⁵⁾ | — | 20 ⁽⁵⁾ | — | — | 20 ⁽⁵⁾ | — | 20 ⁽⁵⁾ | μA |
| | | — | 100 ⁽⁶⁾ | — | 100 ⁽⁶⁾ | — | — | 100 ⁽⁶⁾ | — | 100 ⁽⁶⁾ | |
| I_{OH} | LOS Output Leakage ⁽²⁾ | — | 100 | — | 100 | — | — | 100 | — | 100 | μA |
| LOS_{LVL} | LOS_{LVL} Level | V_{REF} | V_{CC} | V_{REF} | V_{CC} | V_{REF} | — | V_{CC} | V_{REF} | V_{CC} | V |
| V_{OL} | LOS Output Low Level ⁽³⁾ | — | 0.5 | — | 0.5 | — | — | 0.5 | — | 0.5 | V |
| V_{REF} | Reference Voltage | $V_{CC} - 1.38$ | $V_{CC} - 1.26$ | $V_{CC} - 1.38$ | $V_{CC} - 1.26$ | $V_{CC} - 1.38$ | $V_{CC} - 1.32$ | $V_{CC} - 1.26$ | $V_{CC} - 1.38$ | $V_{CC} - 1.26$ | V |
| V_{IH} | /EN Input HIGH Voltage | 2.0 | — | 2.0 | — | 2.0 | — | — | 2.0 | — | V |
| V_{IL} | /EN Input LOW Voltage | — | — | 0.8 | — | 0.8 | — | — | 0.8 | — | V |
| V_{OFFSET} | Differential Output Offset | — | ± 80 | — | ± 80 | — | ± 9 | ± 80 | — | ± 80 | mV |
| V_{CMR} | Common Mode Range | $GND \pm 2$ | $V_{CC} - 0.2$ | $GND \pm 2$ | $V_{CC} - 0.2$ | $GND \pm 2$ | — | $V_{CC} - 0.2$ | $GND \pm 2$ | $V_{CC} - 0.2$ | V |

Notes:

1. No output load.
2. $V_{OH} = 5.5V$.
3. $I_{OL} = +2mA$.
4. $V_{IN} = 0.5V$.
5. $V_{IN} = 2.7V$.
6. $V_{IN} = V_{CC}$.

AC ELECTRICAL CHARACTERISTICS

$V_{CC} = +3.3V \pm 10\%$ or $+5V \pm 10\%$, $R_{LOAD} = 50\Omega$ to V_{CC}

| Symbol | Parameter | $T_A = -40^\circ C$ | | $T_A = 0^\circ C$ | | $T_A = +25^\circ C$ | | | $T_A = +85^\circ C$ | | Unit |
|----------------|--|---------------------|------|-------------------|------|---------------------|--------------------|------|---------------------|------|------------------|
| | | Min. | Max. | Min. | Max. | Min. | Typ. | Max. | Min. | Max. | |
| HYS | LOS Hysteresis | 2 | 8 | 2 | 8 | 2 | 4.6 | 8 | 2 | 8 | dB |
| PSRR | Power Supply ⁽¹⁾ Rejection Ratio | — | — | — | — | — | 35 | — | — | — | dB |
| t_{OFFL} | LOS Release Time ⁽²⁾ Minimum Input | — | 0.5 | — | 0.5 | — | 0.1 | 0.5 | — | 0.5 | μs |
| t_{OFFH} | LOS Release Time ⁽²⁾ Maximum Input | — | 0.5 | — | 0.5 | — | 0.1 | 0.5 | — | 0.5 | μs |
| t_{ONL} | LOS Assert Time ⁽²⁾ | — | 0.5 | — | 0.5 | — | 0.2 | 0.5 | — | 0.5 | μs |
| t_r t_f | Differential Output ⁽³⁾ Rise/Fall Time (20%-80%) | — | 120 | — | 120 | — | 60 | 120 | — | 120 | ps |
| V_{ID} | Input Voltage Range | 4 | 1800 | 4 | 1800 | 4 | — | 1800 | 4 | 1800 | mV _{PP} |
| V_{OD} | Differential Output Voltage Swing ⁽⁴⁾ | 600 | — | 600 | — | 600 | 800 ⁽⁵⁾ | 1200 | 600 | — | mV _{PP} |
| V_{SR} | LOS Sensitivity Range | 4 | 50 | 4 | 50 | 4 | — | 50 | 4 | 50 | mV _{PP} |

Output Spec (D_{OUT} and $/D_{OUT}$)

| | | | | | | | | | | | |
|----------|---|---------------|----------------|---------------|----------------|---------------|----------------|----------------|---------------|----------------|----------|
| V_{OH} | Output HIGH Voltage | $V_{CC} - 20$ | V_{CC} | $V_{CC} - 20$ | V_{CC} | $V_{CC} - 20$ | $V_{CC} - 5$ | V_{CC} | $V_{CC} - 20$ | V_{CC} | mV |
| V_{OL} | Output LOW Voltage ⁽⁶⁾ | — | $V_{CC} - 300$ | — | $V_{CC} - 300$ | — | $V_{CC} - 400$ | $V_{CC} - 300$ | — | $V_{CC} - 300$ | mV |
| Z_O | Single-Ended Output ⁽⁷⁾ Impedance | 40 | 60 | 40 | 60 | 40 | 50 | 60 | 40 | 60 | Ω |

Input Spec (D_{IN} and $/D_{IN}$)

| | | | | | | | | | | | |
|---------------|-----------------------------------|----|---|----|---|----|-----|---|----|---|-----|
| $A_{V(Diff)}$ | Differential Voltage Gain | — | — | — | — | — | 39 | — | — | — | dB |
| B_{-3dB} | 3dB Bandwidth | — | — | — | — | — | 2.5 | — | — | — | GHz |
| S_{21} | Single-Ended Small Signal-Gain | 26 | — | 26 | — | 26 | 33 | — | 26 | — | dB |

Notes:

- Input referred noise = RMS output noise/low frequency gain. Input referred, 55MHz.
- Input is a 200MHz square wave, $t_r < 300ps$, $1.8V_{PP}$.
- With input signal $V_{ID} > 50mV_{PP}$ with 50Ω load.
- Input is a 200MHz square wave, $t_r < 300ps$, 50Ω load.
- $V_{ID} > 10mV_{PP}$.
- Output levels are based on 50Ω impedance. If the load impedance is different, the output level will be changed.
- See output structure.

APPLICATION NOTE

Output Termination

The SY88993AV outputs must be terminated with a 50Ω load to VCC.

Layout and PCB Design

Since the SY88993AV is a high-frequency component, performance can largely be determined by board layout and design. A common problem with high-gain amplifiers is feedback from the large swing outputs to the input via power supply.

The SY88993AV ground pin should be connected to the circuit board ground. Use multiple PCB vias close to the part to connect to ground. Avoid long, inductive runs which can degrade performance.

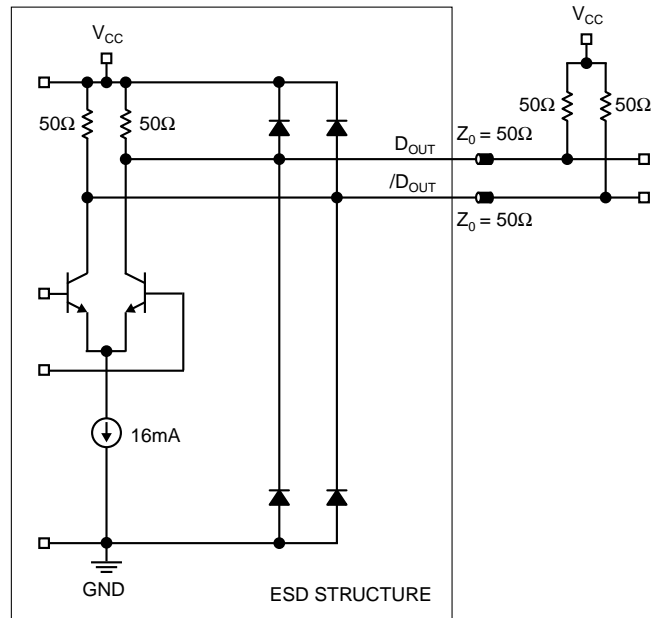


Figure 2. Differential Output Configuration

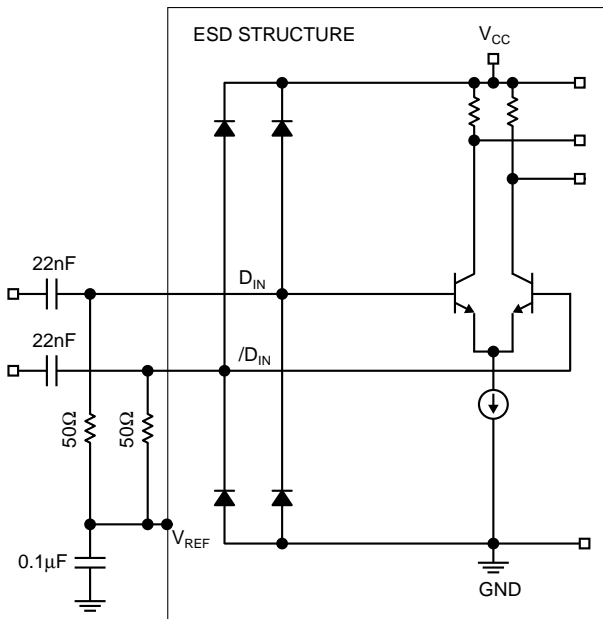
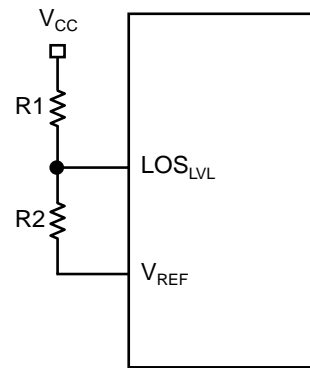


Figure 1. Differential Input Configuration



NOTES:

1. Resistor Divider = $R2 / (R1 + R2)$
2. $R1 + R2 \geq 5k\Omega$

Figure 3. LOS_{LVL} Circuit

PERFORMANCE CURVE

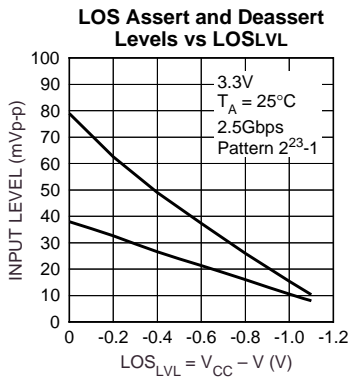


Figure 4.

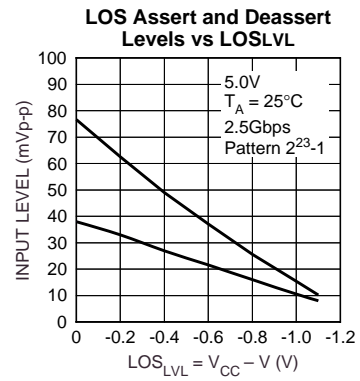


Figure 5.

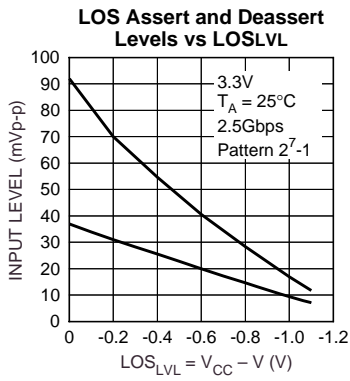


Figure 6.

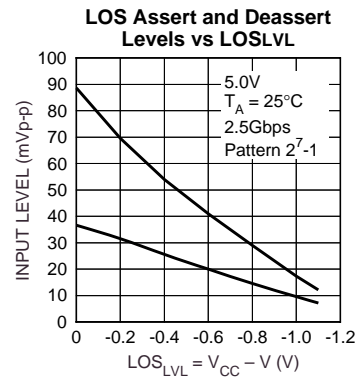
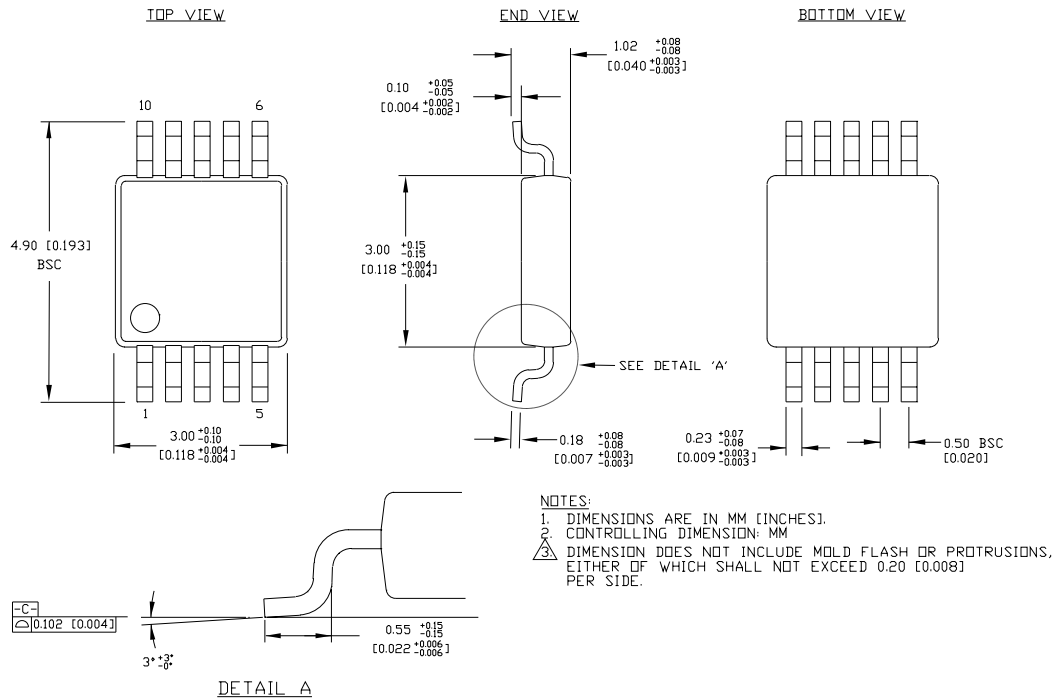


Figure 7.

10 LEAD MSOP (K10-1)



Rev. 00

MICREL, INC. 2180 FORTUNE DRIVE SAN JOSE, CA 95131 USA

TEL + 1 (408) 944-0800 FAX + 1 (408) 474-1000 WEB <http://www.micrel.com>

The information furnished by Micrel in this datasheet is believed to be accurate and reliable. However, no responsibility is assumed by Micrel for its use. Micrel reserves the right to change circuitry and specifications at any time without notification to the customer.

Micrel Products are not designed or authorized for use as components in life support appliances, devices or systems where malfunction of a product can reasonably be expected to result in personal injury. Life support devices or systems are devices or systems that (a) are intended for surgical implant into the body or (b) support or sustain life, and whose failure to perform can be reasonably expected to result in a significant injury to the user. A Purchaser's use or sale of Micrel Products for use in life support appliances, devices or systems is at Purchaser's own risk and Purchaser agrees to fully indemnify Micrel for any damages resulting from such use or sale.

© 2005 Micrel, Incorporated.